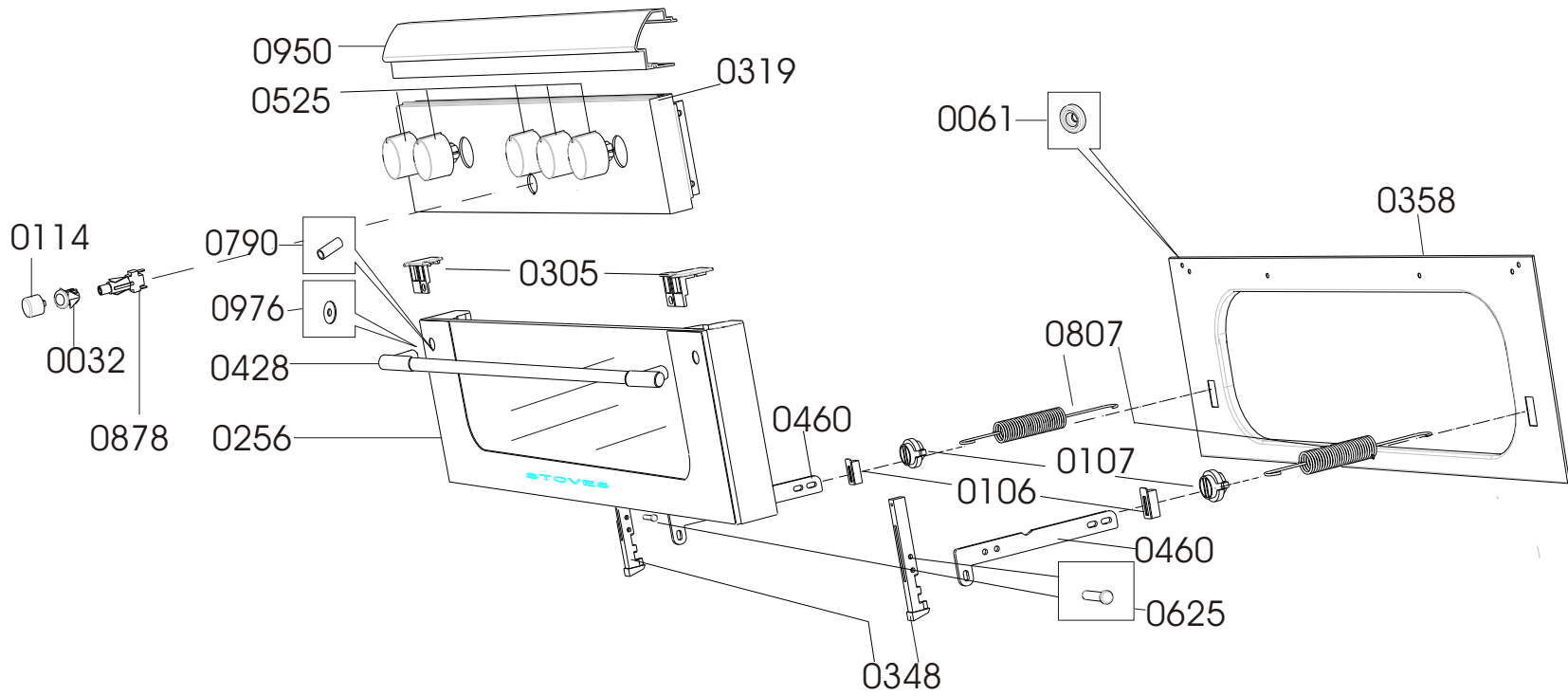


PRODUCT: STOVES DF500DIT-T1(Domestic)Svs
COLOUR: SILVER STEEL
CODE: 444447063
ISSUE: 3
DATE: 25/07/2006



Key	Product	Product Description	TCO	Replace	Date	Qty
0032	082566100	BEZEL switch Blk				1
0046	012397600	BRACKET lid securing assy RH				2
0049	012551600	BRKT Electric shut off assy				1
0067	082541801	BURNER grill AC-Tek 500dit				1
0083	082519302	BURNERBOWL auxillary (0.50jet)				1
0084	082519405	BURNERBOWL semi rapid(0.62jet)				1
0085	082519505	BURNERBOWL rapid (0.80jet)				1
0090	082519702	BURNERCAP auxillary fixed				1
0091	082519705	BURNERCAP semi rapid fixed				1
0092	082519708	BURNERCAP rapid fixed				1
0102	082519601	BURNERSKIRT auxillary fixed				1
0103	082519603	BURNERSKIRT semi rapid fixed				1
0104	082519605	BURNERSKIRT rapid fixed				1
0114	082566200	BUTTON switch Nic				1
0147	082481900	CATCH magnetic				2
0178	082520000	CLIP spring Defendi				3
0178	082443500	CLIP pan support 097 KB				1
0178	082520000	CLIP spring Defendi				3
0256	012898971	DOOR assy grl gls (glued) sil				1
0256	012577828	DOOR assy grl gls (glued) Svs	27/06/06			1
0281	082532601	ELECTRODE 900mm DEL702				3
0282	082544300	ELECTRODE grill DEL711				1
0296	082472700	ELEMENT 800w/240v single pod				1
0305	082351201	ENDCAP set lh & rh				1
0311	082504900	ESCUTCHEON Hyg door handle				2
0319	702592710	FACIA h/p DF500DIT-T1 Sil/Blk				1
0348	082077805	FOOT door (leisure)				2
0388	081529600	GENERATOR ignition DG113				1
0411	601771600	GRILLPAN				1
0412	082469100	GRIP handle grill pan				1
0424	082451802	HANDBOOK DF500DIT				1
0427	081052502	HANDLE GRILLPAN KB				1
0428	562510405	HANDLE "T" bar painted svs				1
0460	081542003	HINGE bar finished				2
0472	602179277	HOTPLATE 500dit DF ant				1
0498	080011115	INJECTOR GRILL 60 amal				1
0522	012803300	KIT fixing grill pan handle				1
0525	082468400	KNOB control gas alm				5
0551	012534104	LID assy glass	27/06/06			1
0551	012899125	LID glass assy 500DIT gmt				1
0552	502427500	LID clip				2
0614	082416901	PANSUPPORT 500dit DF				1
0736	081423974	SEAL tap 4mm COPRECI F3862-04				4
0764	562594202	SIDE hotplate lh (curved) Blk				1
0765	562594203	SIDE hotplate rh (curved) Blk				1
0790	082276000	SPACER-black				2
0803	082303400	SPRING lid rs2				1
0807	081555701	SPRING grill door (green)				2

0808	081555700	SPRING oven (plain)				1
0876	082550900	SWITCH lid cutout (c/w nut)				1
0877	082351000	SWITCH selector 41.41723.010				1
0878	081811101	SWITCH ignition E2009				1
0887	082548802	TAP h/p Large (0.40by pass)				1
0888	082548801	TAP h/p Med (0.33by pass)				1
0889	082548800	TAP h/p Sml (0.29by pass)				1
0891	082548805	TAP grill lp				1
0906	082520100	THERMOCOUPLE 220mm				2
0906	082520101	THERMOCOUPLE 500mm				1
0908	081528402	THERMOCOUPLE grill				1
0950	562591201	EXTRUSION facia decorative Svs				1
0967	080080400	TRIVET grillpan				1
0974	081460902	VALVE cutoff GCV210 KB				1



DUEL FUEL

HOTPLATE, LID ASSEMBLY.

