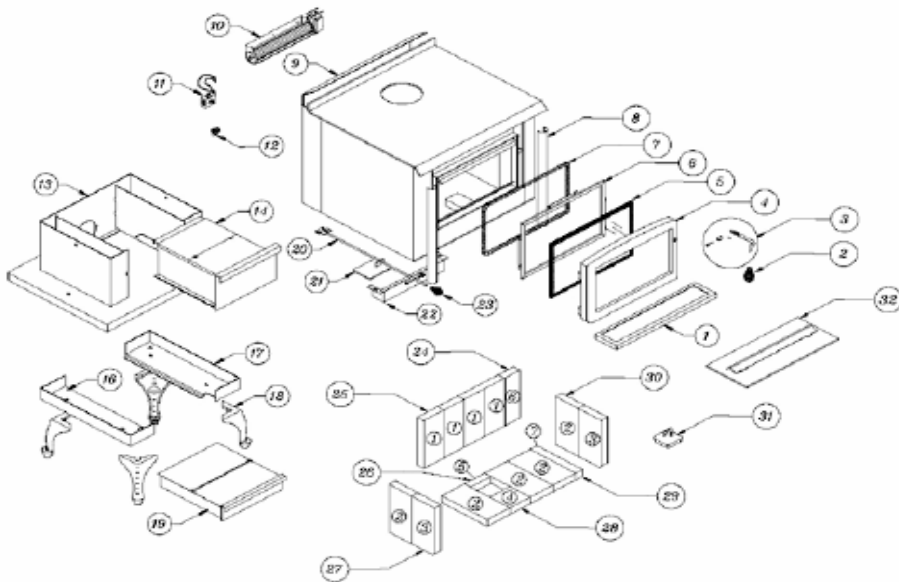


OSBURN 1000

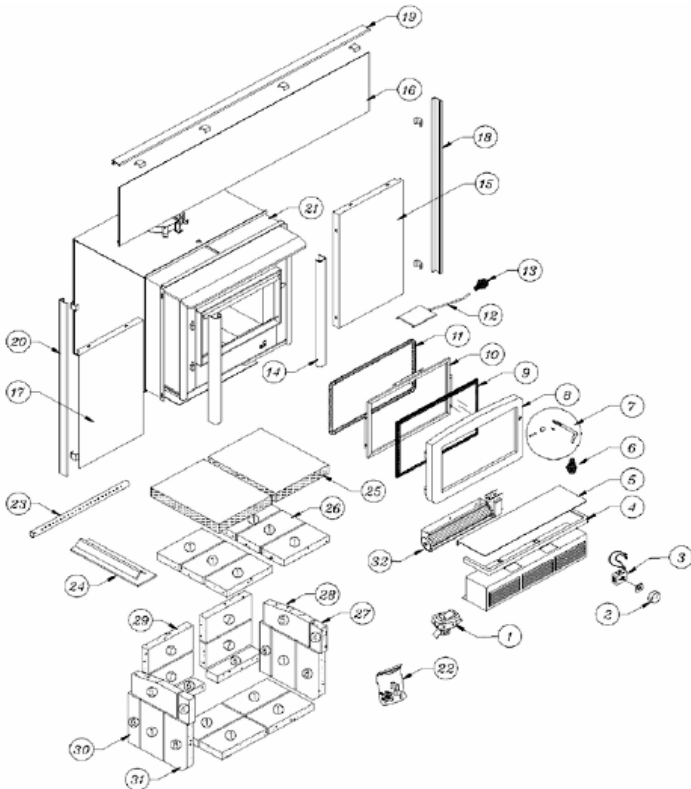
Vue #	PART #	DESCRIPTION	Qty / stove
1	PL34036	Ash lip (6s0059)	1
10	44082	Blower 240v	1
11	44080	Rheostat	1
12	44093	2 speed rocker switch (he23)	1
14	SE42055	Pedestal model ash drawer	1
16	SE42035	Leg support leftside	1
17	SE42036	Leg support rightside	1
18	24023P	Black cast iron leg (el0002)	4
18	24023PG	Gold cast iron leg (el0010)	4
19	SE42037	Leg model ash drawer	1
2	AC07860	Gold plated sping handle 1/2	1
20	SE42024	Air control rod	1
21	SE34021	Air control plate (th010)	1
22	PL42027	Air control panel	1
23	30103	coil handle 1/4	1
24	29006	Refractory brick 3 x 9	1
25	29015	Refractory brick 1.25" x 4" x 9"	4
26	VP00003	Refractory brick 1 1/4 x 4	1
27	VP00023	Refractory brick 4 1/2 x 9 x 1/2 x 1/2	2
28	29001	refractory brick 4 x 8 x 1 1/4	1
29	1-3/8-9	Refractory brick 1 3/8" x 9"	1
3	AC09185	Door latch kit	1
3	AC09187	Door handle and latch kit	1
30	AC03020	refractory brick 4.5 x 9 (59-010-005, hm05, fl147)	5
31	SE16059	Dump cap	1
32	SE38025	Baffle (th004)	1
4	SE24022	Black cast iron door (wd203)	1
4	SE24022BO	Gold cast iron door (wd204)	1
5	SE34102	Glass with gasket 10" x 16" (HM12)	1
6	SE34060	Glass retainer with gasket (db0004+db0007)	1
7	OA11395	Door glue & gasket kit 1/2	1
8	PL38039	Column brass trim (th0027)	2
9	PL38030	Rear heat shield (TH0031)	1
N/A	45126	Owner's manual osburn 1000 stove	1
N/A	AC05959	Metallic black spray paint (6309)	1
N/A	SE38012	Firebrick set osburn 1000	1
N/A	VG00017	Old round ashdump cover (ep001)	1

1000 stove



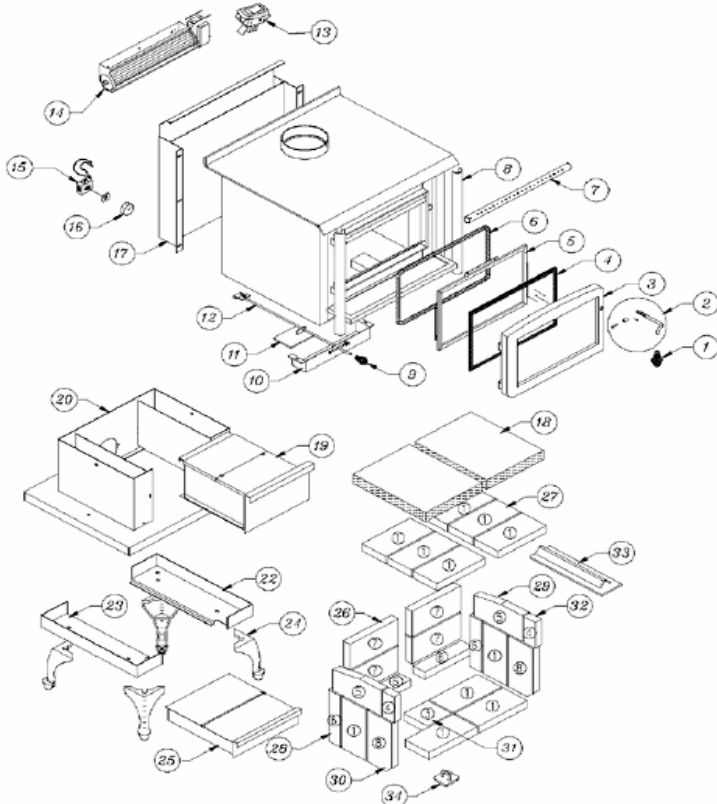
1600 inbuilt

Vue #	PART #	DESCRIPTION	Qty / stove
01	44092	3 speed rocker switch (he25)	1
02	44085	Rheostat knob	1
03	44080	Rheostat	1
04	PL34079	Ash lip brass trim (6n0027)	1
05	SE34078	Ash lip (6N009)	1
06	AC07860	Gold plated sping handle 1/2	1
07	AC09185	Door latch kit	1
07	AC09187	Door handle and latch kit	1
08	SE24022	Black cast iron door (wd203)	1
08	SE24022BO	Gold cast iron door (wd204)	1
09	SE34102	Glass with gasket 10" x 16" (HM12)	1
10	SE34060	Glass retainer with gasket (db0004+db0007)	1
11	OA11395	Door glue & gasket kit 1/2	1
12	SE34065	Air control plate (6n001)	1
13	30103	coil handle 1/4	1
14	PL34070	Brass trim (6n005)	2
15	PL34087	Faceplate rightside 44	1
15	PL34092	Faceplate rightside 32	1
16	PL34089	Faceplate top 32" X 44"	1
16	PL34090	Faceplate top 29	1
17	PL34088	Faceplate leftside 44	1
17	PL34091	Faceplate leftside 32	1
18	20020A	Faceplate right brass trim 29" clip version	1
18	20021A	Faceplate right brass trim 32	1
19	20020	Faceplate brass top molding 44"	1
19	20021	Faceplate brass top molding 50	1
20	20020B	Faceplate left brass trim 29	1
20	20021B	Faceplate left brass trim 32	1
21	PL34062	Faceplate extension (6n004)	1
22	SE15099	Faceplate hardware kit (af001 & af121)	1
23	PL34019	Manifold (6S0031)	1
24	SE34013	Top baffle support (6s008)	1
25	PL34047	Insulation blanket (6s0041)	2
26	AC03020	refractory brick 4.5 x 9 (59-010-005, hm05, fl147)	12
27	VP00091	Refractory brick 1-7/8 x 4 1/2	2
28	VP00030	Refractory brick 4 1/2 x 9 x 7/8 x 5	2
29	29016	Refractory brick 2-1/2	4
30	VP00005	Refractory brick 2 1/8 x 9	4
31	VP00031	Refractory brick 4 1/2 x 9 x 1 x 1	2
32	44071	Blower 240v (fd007)	1
N/A	45084	Owner's manual Osburn 1600 insert	1
N/A	AC05959	Metallic black spray paint (6309)	1



OSBURN 1600 FIRE

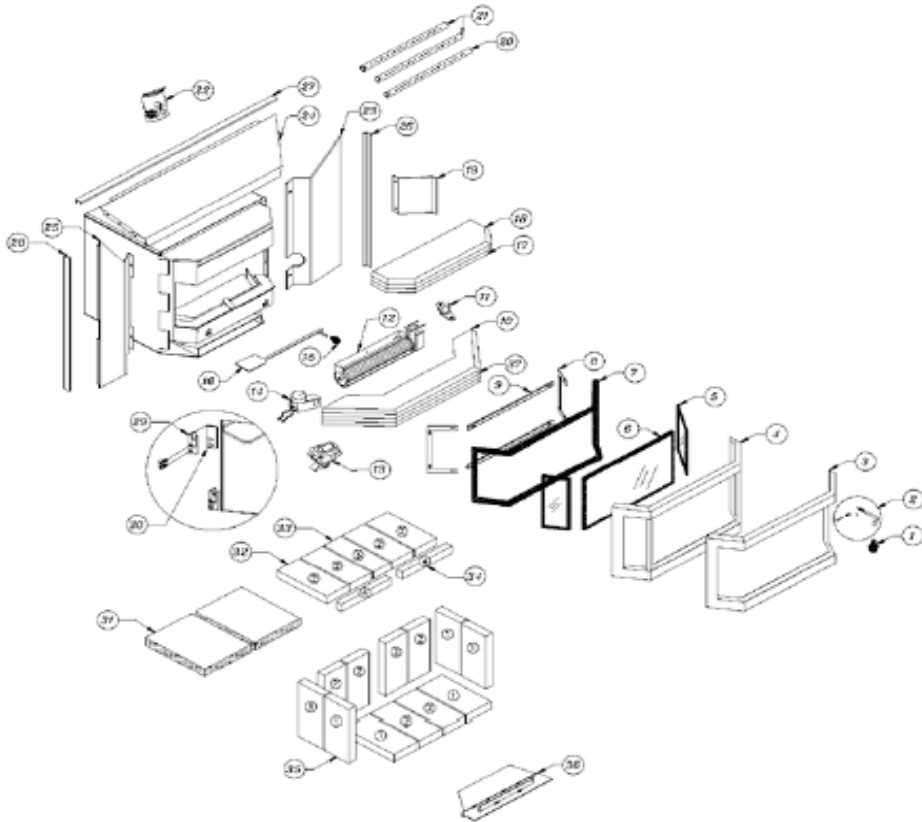
Vue #	PART #	DESCRIPTION	Qty / stove
01	AC07860	Gold plated sping handle 1/2	1
02	AC09185	Door latch kit	1
02	AC09187	Door handle and latch kit	1
03	SE24022	Black cast iron door (wd203)	1
03	SE24022BN	Cast iron door nickel osburn 1600	1
03	SE24022BO	Gold cast iron door (wd204)	1
04	AC06400	U shaped self adhesive glass gasket	1
04	SE34102	Glass with gasket 10" x 16" (HM12)	1
05	SE34060	Glass retainer with gasket (db0004+db0007)	1
06	OA11395	Door glue & gasket kit 1/2	1
07	PL34019	Manifold (6S0031)	1
08	PL34039	Column brass trim (6s009)	2
08	PL34039-01	Brush nickel column	2
09	30103	coil handle 1/4	1
10	PL34027	Air control panel	1
11	SE34021	Air control plate (th010)	1
12	SE34024	Air control rod (6s017)	1
13	44092	3 speed rocker switch (he25)	1
14	44082	Blower 240v	1
15	44080	Rheostat	1
16	44085	Rheostat knob	1
17	SE34025	Heat shield (6s005)	1
18	PL34047	Insulation blanket (6s0041)	2
19	SE34044	Pedestal model ash drawer (6s018)	1
22	SE34010	Right leg support	1
23	SE34009	Left leg support	1
24	24023P	Black cast iron leg (el0002)	4
24	24023PG	Gold cast iron leg (el0010)	4
25	SE34037	Leg model ash drawer (6i005)	1
26	29016	Refractory brick 2-1/2	4
27	AC03020	refractory brick 4.5 x 9 (59-010-005, hm05, fl147)	11
28	VP00005	Refractory brick 2 1/8 x 9	4
29	VP00030	Refractory brick 4 1/2 x 9 x 7/8 x 5	2
30	VP00031	Refractory brick 4 1/2 x 9 x 1 x 1	2
31	VP00021	Refractory brick 4 1/2 x 4 1/2	1
32	VP00091	Refractory brick 1-7/8 x 4 1/2	2
33	SE34013	Top baffle support (6s008)	1
34	SE16059	Ash dump cover square	1
N/A	45022	Owner's manual Osburn 1600 stove	1
N/A	AC05959	Metallic black spray paint (6309)	1
N/A	VG00017	Old round ash+C4dump cover (ep001)	1



OSBURN 1800 INBUILT

Vue #	PART #	DESCRIPTION	Qty / stove
01	142	(10-985-202)chrome spring handle 1/2	1
01	30105P	Coil handle 1/2 black	1
01	AC07860	Gold plated sping handle 1/2	1
02	AC09185	Door latch kit	1
02	AC26005	Door handle & latch kit	1
03	OA10040	Black door overlay (8s1060)	1
03	OA10045	Gold door overlay (8s1061)	1
03	OA10050	Brushed nickel door overlay for 1800	1
04	SE37150	Door assembly w/o overlay	1
05	SE37154	Side glass (8s1047)	2
06	SE37155	Center glass (8S1048)	1
07	OA11390	Door glue & gasket kit 7/8	1
08	PL37151	Side glass & gasket retainer	2
09	PL37152	Top/bottom glass & gasket retainer	2
10	SE37100	Bottom louvre and 115V fan assembly (8N103)	1
10	SE37100-01	Bottom louvre and 240v fan assembly	1
11	44046	Blower thermodisc (he57)	1
12	44074	Blower 240V	1
13	44092	3 speed rocker switch (he25)	1
14	44084	Rheostat (he85)	1
15	AC07861	Gold plated spring handle ¼	1
16	PL37119	Air control plate (8n101)	1
17	PL37104	Top black louvre (8n1020)	1
17	PL37104PG	Top gold louvre	1
18	SE37106	Top louvre assembly (8n102)	1
19	PL35135	Handle heatshield	1
20	PL37031	Front manifold (8s1051)	1
21	PL37030	Mid & rear manifold (8s1050)	2
22	SE15098	Faceplate hardware kit	1
23	PL37131	Faceplate rightside 29	1
23	PL37134	Faceplate rightside 32	1
24	PL37132	Faceplate top 29	1
24	PL37135	Faceplate top 32	1
25	PL37130	Faceplate leftside 29	1
25	PL37133	Faceplate leftside 32" X 44	1
26	20002A	Faceplate right nickel trim 29	1
26	20006A	Faceplate right nickel trim 32	1
26	20009A	Faceplate right black trim 32	1
26	20019A	Faceplate right black trim 29	1
26	20020A	Faceplate right brass trim 29" clip version	1
26	20021A	Faceplate right brass trim 32	1
26	PL35142	Faceplate right brass trim 29	1
26	PL35147	Faceplate right brass trim 32" screwed version	1
27	20002	Faceplate nickel top molding 44	1
27	20019	Faceplate black top molding 44"	1
27	20020	Faceplate brass top molding 44"	1
28	20002B	Faceplate left nickel trim 29	1
28	20006B	Faceplate left nickel trim 32	1
28	20009B	Faceplate left black trim 32	1
28	20019B	Faceplate left black trim 29	1
28	20020B	Faceplate left brass trim 29	1
28	20021B	Faceplate left brass trim 32	1
28	PL35141	Faceplate left brass trim 29	1
28	PL35146	Faceplate left brass trim 32"screwed version	1

29	SE35021	Hinge assembly	2
30	PL35056	Shim	2
31	PL37027	Baffle insulation (8s1033)	2
32	29015	Refractory brick 1.25" x 4" x 9"	10
33	29006	Refractory brick 3 x 9	1
34	VP00015	Refractory brick 2 x 9	2
35	AC03020	refractory brick 4.5 x 9 (59-010-005, hm05, fl147)	6
36	SE37005	Baffle support front (8S103)	1
37	PL37101	Bottom black louvre (8N1022)	1
37	PL37101PG	Bottom gold louvre (8n1023)	1
N/A	VG00001	1800 old gold door assembly (1800gd)	1
N/A	VG00003	Right hand side reg faceplate retrofit 1800 (37131)	1
N/A	VG00004	Right hand side med faceplate retrofit 1800 (3713)	1



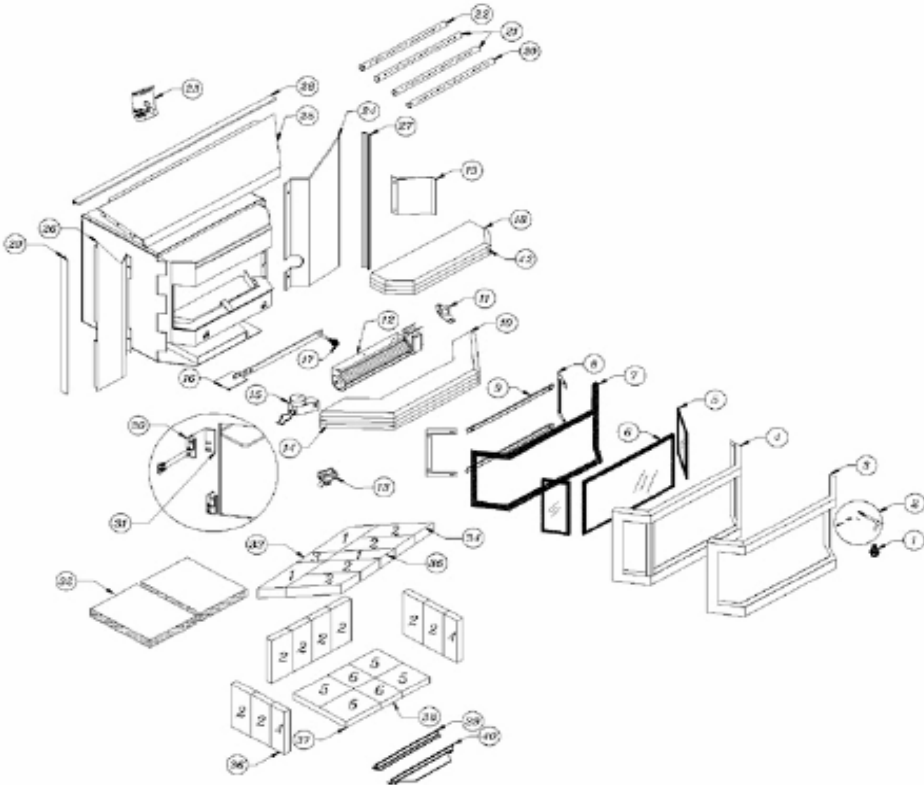
OSBURN 1800 STOVE

Vue #	PART #	DESCRIPTION	Qty / stove
01	142	10-985-202)chrome spring handle 1/2	1
01	30105P	Coil handle 1/2 black	1
01	AC07860	Gold plated sping handle 1/2	1
02	AC09185	Door latch kit	1
02	AC26005	Door handle & latch kit	1
03	OA10040	Black door overlay (8s1060)	1
03	OA10045	Gold door overlay (8s1061)	1
04	OA10150	Brushed nickel door overlay for 2200/wb38	1
04	SE37150	Door assembly w/o overlay	1
05	SE37154	Side glass (8s1047)	2
06	SE37155	Center glass (8S1048)	1
07	OA11390	Door glue & gasket kit 7/8	1
08	PL37151	Side glass & gasket retainer	2
09	PL37152	Top/bottom glass & gasket retainer	2
10	30103	coil handle 1/4	1
10	30100N	1/4	1
10	30104P	Black coil handle 1/4	1
11	PL37029	Air control panel (2S1084)	1
12	SE37035	Air control plate	1
13	SE34024	Air control rod (6s017)	1
14	PL37031	Front manifold (8s1051)	1
15	PL37030	Mid & rear manifold (8s1050)	2
16	PL37025	Ash lip (2s1022)	1
17	SE37050	Top black louvre assembly (8S104)	1
18	PL37050	Black louvre	1
18	PL37050PG	Gold louvre	1
19	PL37018	Air jacket rightside (8s1065)	1
20	SE35052	Black trivet (2s1012)	1
20	SE35052PG	Gold trivet (2s1087)	1
20	SE35052PN	Nickel trivet	1
21	44080	Rheostat	1
22	44085	Rheostat knob	1
23	PL37019	Air jacket leftside (8s1064)	1
24	44071	Blower 240v (fd007)	1
25	PL35056	Shim	2
26	SE35021	Hinge assembly	2
27	SE37036	Pedestal outline	1
28	SE37037	Pedestal model ash drawer (2s101)	1
29	28060	Brass drawer handle 3" 3/4	1
29	28062	Black ash drawer handle	1
30	PL37028	Base	1
31	PL37027	Baffle insulation (8s1033)	2
32	29015	Refractory brick 1.25" x 4" x 9"	9
33	29006	Refractory brick 3 x 9	1
34	VP00015	Refractory brick 2 x 9	2
35	AC03020	refractory brick 4.5 x 9 (59-010-005, hm05, fl147)	6
36	VP00020	Refractory brick 4 x 4½	1
37	SE16059	Ash dump cover	1
38	SE37005	Baffle support front (8S103)	1
N/A	45059	Owner's manual osburn 1800 stove	1
N/A	AC05959	Metallic black spray paint (6309)	1
N/A	VG00017	Old round ashdump cover (ep001)	1

OSBURN 2200 INBUILT

Vue #	PART #	DESCRIPTION	Qty / stove
01	142	10-985-202)chrome spring handle 1/2	1
01	30105P	Coil handle 1/2 black	1
01	AC07860	Gold plated spring handle 1/2	1
02	AC09185	Door latch kit	1
02	AC26005	Door handle & latch kit	1
03	OA10140	Black door overlay for 2200/wb38 (2s1101)	1
03	OA10145	Gold door overlay for 2200/wb38 (2s1088)	1
03	OA10150	Brushed nickel door overlay for 2200/wb38	1
04	SE35101	Door assembly w/o overlay	1
05	SE35107	Side glass with gasket 5 x 12 (2s1044)	2
06	SE35108	Center glass with gasket 12 x 17.5 (2s1045)	1
06	AC06400	U shaped self adhesive glass gasket	1
07	OA11390	Door glue & gasket kit 7/8	1
08	PL35102	Glass & gasket retainer	2
09	PL35103	Top & bottom glass retainer	2
10	SE35130	Bottom louvre and fan assembly 115v (2n102)	1
10	SE35130-01	Bottom louvre and fan assembly 240v (aus)	1
11	44046	Blower thermodisc (he57)	1
12	44071	Blower 240v (fd007)	1
13	44092	3 speed rocker switch (he25)	1
14	PL35137	Black single bottom louvre (2n1004)	1
14	PL35137PG	Gold single bottom louvre (2n1035)	1
15	44084	Rheostat (he85)	1
16	SE34021-02	Air control plate & extension rod (2n201+2n202)	1
17	AC07861	Gold plated spring handle ¼	1
18	SE35126	Top louvre assembly (2n105)	1
19	PL35135	Handle heatshield	1
20	PL35029	Front manifold (2s2004)	1
20	PL35174	2200 old front arched sec. air tube (2s1014)	1
22	PL35028	Rear manifold (2s2003)	1
22	PL35176	2200 old rear sec. air tube (2s1013)	1
23	SE15098	Faceplate hardware kit	1
24	PL35027	Mid manifold (2s2002)	2
24	PL35139	Faceplate rightside 29"X 44"	1
24	PL35145	Faceplate rightside 32"X 44"	1
24	PL35150	Faceplate rightside 32	1
24	PL35177	2200 old middle sec. air tube (2s1027)	2
25	PL35138	Faceplate top 29	1
25	PL35143	Faceplate top 32" X 44"	1
25	PL35148	Faceplate top 32	1
26	PL35140	Faceplate leftside 29" X 44"	1
26	PL35144	Faceplate leftside 32	1
26	PL35149	Faceplate leftside 32" X 50"	1
27	20002A	Faceplate right nickel trim 29	1
27	20006A	Faceplate right nickel trim 32	1
27	20009A	Faceplate right black trim 32	1
27	20019A	Faceplate right black trim 29	1
27	20020A	Faceplate right brass trim 29" clip version	1
27	20021A	Faceplate right brass trim 32	1
27	PL35142	Faceplate right brass trim 29	1

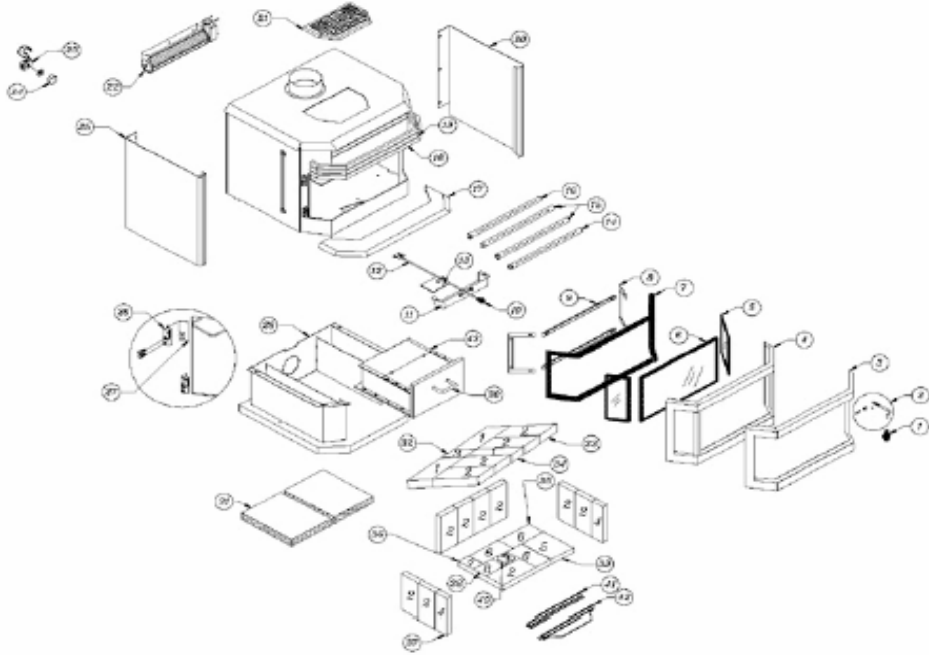
27	PL35147	Faceplate right brass trim 32" screwed version	1
28	20002	Faceplate nickel top molding 44	1
28	20006	Faceplate nickel top molding 50	1
28	20009	Faceplate black top molding 50	1
28	20019	Faceplate black top molding 44"	1
28	20020	Faceplate brass top molding 44"	1
28	20021	Faceplate brass top molding 50	1
29	20002B	Faceplate left nickel trim 29	1
29	20006B	Faceplate left nickel trim 32	1
29	20009B	Faceplate left black trim 32	1
29	20019B	Faceplate left black trim 29	1
29	20020B	Faceplate left brass trim 29	1
29	20021B	Faceplate left brass trim 32	1
29	PL35141	Faceplate left brass trim 29	1
29	PL35146	Faceplate left brass trim 32"screwed version	1
30	SE35021	Hinge assembly	2
31	PL35056	Shim	2
32	PL35030	Baffle insulation (2s2005)	2
33	29001	refractory brick 4 x 8 x 1¼	1
34	AC03020	refractory brick 4.5 x 9 (59-010-005, hm05, fl147)	12
35	29015	Refractory brick 1.25" x 4" x 9"	3
36	29006	Refractory brick 3 x 9	2
37	29005	Refractory brick 6" x 8" x 1.25"	4
38	VP00012	Refractory brick 2 5/8 x 6	2
39	SE35032	Rear baffle support (2s201)	1
40	SE35031	Front baffle support (2s202)	1
42	PL35127	Black single top louvre (2n1003)	1
42	PL35127PG	Gold single top louvre (2n1034)	1
42	PL35127PN	Brush nickel top louver	1
N/A	VG00002	Right hand side faceplate retrofit 2200 (2n107)	1
N/A	45056	Owner's manual osburn 2200 insert	1
N/A	AC05959	Metallic black spray paint (6309)	1



OSBURN 2200 STOVE

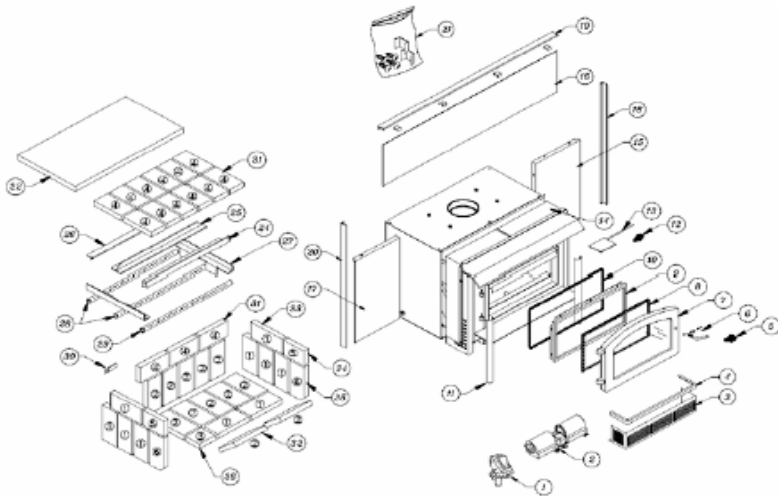
Vue #	PART #	DESCRIPTION	Qty / stove
01	142	(10-985-202)chrome spring handle 1/2	1
01	30105P	Coil handle 1/2 black	1
01	AC07860	Gold plated sping handle 1/2	1
02	AC09185	Door latch kit	1
02	AC26005	Door handle & latch kit	1
03	OA10140	Black door overlay for 2200/wb38 (2s1101)	1
03	OA10145	Gold door overlay for 2200/wb38 (2s1088)	1
03	OA10150	Brushed nickel door overlay for 2200/wb38	1
04	SE35101	Door assembly w/o overlay	1
05	SE35107	Side glass with gasket 5 x 12 (2s1044)	2
06	SE35108	Center glass with gasket 12 x 17.5 (2s1045)	1
07	OA11390	Door glue & gasket kit 7/8	1
08	PL35102	Glass & gasket retainer	2
09	PL35103	Top & bottom glass retainer	2
10	30103	coil handle 1/4	1
10	30100N	1/4	1
10	30104P	Black coil handle 1/4	1
11	PL35023	Air control panel (2S1084)	1
12	SE35013	Air control rod (2s1019)	1
13	SE34021-01	Air control plate	1
14	PL35029	Front manifold (2s2004)	1
14	PL35174	2200 old front arched sec. air tube (2s1014)	1
15	PL35027	Mid manifold (2s2002)	2
15	PL35177	2200 old middle sec. air tube (2s1027)	2
16	PL35028	Rear manifold (2s2003)	1
16	PL35176	2200 old rear sec. air tube (2s1013)	1
17	PL35015	Ash lip(2s1022)	1
18	PL35105	Black louvre	1
18	PL35105PG	Gold louvre	1
18	PL35105PN	Nickel louvre	1
19	SE35105	Black louvre assembly (2S106)	1
19	SE35105PG	Gold louvre assembly (2s107)	1
19	SE35105PN	Brushed nickel top louvre assembly	1
20	PL35042	Right air jacket sides (2s2019)	1
21	SE35052	Black trivet (2s1012)	1
21	SE35052PG	Gold trivet (2s1087)	1
21	SE35052PN	Nickel trivet	1
22	44071	Blower 240v (fd007)	1
23	44080	Rheostat	1
24	44085	Rheostat knob	1
25	PL35041	Left air jacket sides (2s2013)	1
26	SE35021	Hinge assembly	2
27	PL35056	Shim	2
30	28060	Brass drawer handle 3" 3/4	1
30	28061	Nickel drawer handle 3" 3/4	1
30	28062	Black ash drawer handle	1
31	PL35030	Baffle insulation (2s2005)	2
32	VP00004	Refractory brick 4 x 4	1
33	AC03020	refractory brick 4.5 x 9 (59-010-005, hm05, fl147)	13
34	29015	Refractory brick 1.25" x 4" x 9"	3
35	29000	Brick 4 x 8 x 4.25	3
36	VP00010	Refractory brick 2 3/4 x 4	1
37	29006	Refractory brick 3 x 9	2
38	VP00017	Refractory brick 3-1/2 x 5-1/8	1
39	29005	Refractory brick 6" x 8" x 1.25"	1

40	SE16059	Ash dump cover	1
41	SE35032	Rear baffle support (2s201)	1
42	SE35031	Front baffle support (2s202)	1
43	SE35047	Pedestal model ash drawer	1
N/A	45055	Owner's manual osburn 2200 stove	1
N/A	AC05959	Metallic black spray paint (6309)	1
N/A	VG00017	Old round ash dump cover (ep001)	1



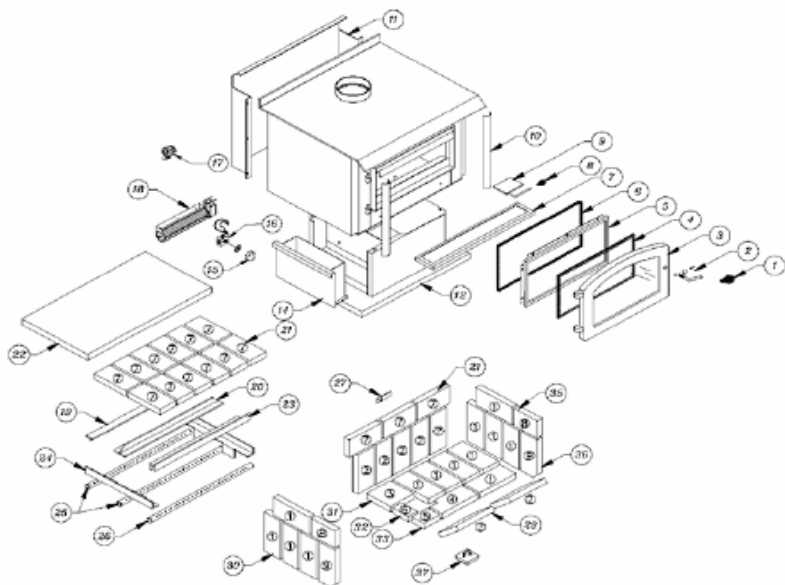
OSBURN 2400 INBUILT

Vue #	PART #	DESCRIPTION	Qty / stove
01	44092	3 speed rocker switch (he25)	1
02	44071	Blower 240v (fd007)	1
03	SE39150	Fan assembly	1
04	PL39151	(4s0054)fan brass trim	1
05	AC07860	Gold plated sping handle 1/2	1
06	AC09185	Door latch kit	1
06	AC09187	Door handle and latch kit	1
07	SE24026	Black cast iron door (DC003)	1
07	SE24026BO	Gold cast iron door (dc001)	1
08	SE39105	Glass and gasket	1
09	SE39102	Glass retainer with door gasket	1
10	OA11400	3/4 in. glue & gasket kit , 8 feet	1
11	PL39160	Column brass trim (4n006)	2
12	30103	coil handle 1/4	1
13	SE34021-04	Air control plate (4n002)	1
14	PL39094	Faceplate extension (4n005)	1
15	PL39162	Faceplate rightside 44	1
15	PL39166	Rh side for faceplate (32x50)	1
16	PL39161	Faceplate top 29" x 44"	1
16	PL39164	Faceplate top 32	1
16	PL39165	Faceplate top 32	1
17	PL39163	Faceplate leftside 44"	1
17	PL39167	Faceplate leftside 32	1
18	20020A	Faceplate right brass trim 29" clip version	1
18	20021A	Faceplate right brass trim 32	1
19	20020	Faceplate brass top molding 44"	1
19	20021	Faceplate brass top molding 50	1
20	20020B	Faceplate left brass trim 29	1
20	20021B	Faceplate left brass trim 32	1
21	SE15099	Faceplate hardware kit (af001 & af121)	1
22	PL39047	Baffle insulation blanket (4s0050)	1
24	PL39022	Front baffle support (new)	1
25	SE39024	Middle baffle support (new)	1
25	SE39024-90	Middle baffle support (old 4S007)	2
26	PL39023	Rear baffle support (new)	1
27	PL39013	Side baffle support 2400 (4s004)	2
28	PL39018	Middle & back air tubes (4s0032c)	2
29	PL39015	Front manifold (4s0036c)	1
30	PL39027	Rear baffle retainer	2
31	29000	Brick 4 x 8 x 4.25	15
32	29010	Refractory brick 4 1/2 x 9	10
33	29015	Refractory brick 1.25" x 4" x 9"	12
34	VP00007	Refractory brick 4 x 6 1/2	2
35	VP00028	Refractory brick 4 x 9 x 1 x 2	2
N/A	VG00005	Ash shelf braff trim 2400 (4s0054)	1



OSBURN 2400 STOVE

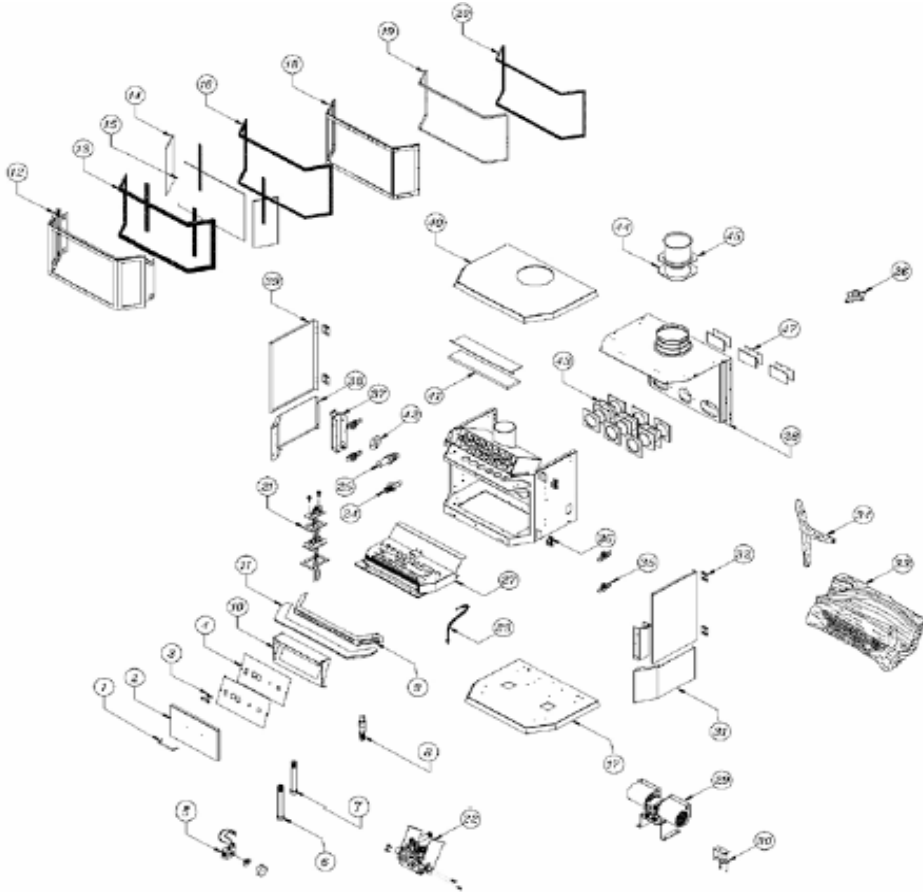
Vue #	PART #	DESCRIPTION	Qty / stove
01	AC07860	Gold plated spring handle 1/2	1
02	AC09185	Door latch kit	1
02	AC09187	Door handle and latch kit	1
03	SE24026	Black cast iron door (DC003)	1
03	SE24026BO	Gold cast iron door (dc001)	1
04	SE39105	Glass and gasket	1
05	SE39102	Glass retainer with door gasket	1
06	OA11400	3/4 in. glue & gasket kit , 8 feet	1
07	PL39036	Ash lip (4s0061)	1
08	30103	coil handle 1/4	1
09	SE34021-03	Air control plate (4s002)	1
10	PL39060	Column brass trim (4S008)	2
11	PL39025	Rear heat shield (4s0035)	1
12	PL39041	Base	1
13	SE39040	Pedestal outline	1
14	SE39048	Pedestal model ash drawer (6s004)	1
15	44085	Rheostat knob	1
16	44080	Rheostat	1
17	44092	3 speed rocker switch (he25)	1
18	44071	Blower 240v (fd007)	1
19	PL39023	Rear baffle support (new)	1
20	SE39024	Middle baffle support (new)	1
20	SE39024-90	Middle baffle support (old 4S007)	2
21	29000	Brick 4 x 8 x 4.25	15
22	PL39047	Baffle insulation blanket (4s0050)	1
23	PL39022	Front baffle support (new)	1
24	PL39013	Side baffle support 2400 (4s004)	2
25	PL39018	Middle & back air tubes (4s0032c)	2
26	PL39015	Front manifold (4s0036c)	1
27	PL39027	Rear baffle retainer	1
29	AC03020	refractory brick 4.5 x 9 (59-010-005, hm05, fl147)	7
30	29015	Refractory brick 1.25" x 4" x 9"	13
31	29009	Refractory brick 6 x 6	1
32	VP00008	Refractory brick 2 1/4 x 4	1
33	VP00018	Refractory brick 3"x 4"	1
34	VP00027	Refractory brick 4 x 9 x 1 x 2	1
35	VP00024	Refractory brick 4 x 5-3/4	2
36	VP00028	Refractory brick 4 x 9 x 1 x 2	2
37	SE16059	Ash dump cover	1
N/A	45110	Owner's manual osburn 2400 stove	1
N/A	AC05959	Metallic black spray paint (6309)	1



LA30 GAS FIRE

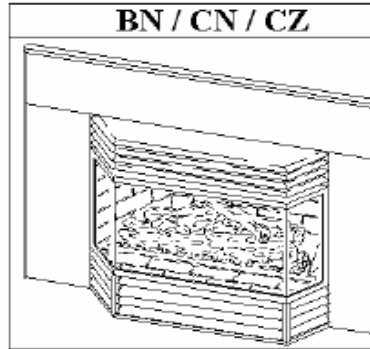
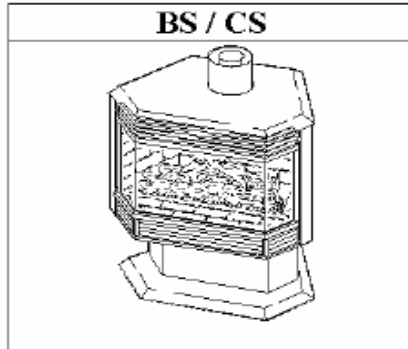
Vue #	PART #	DESCRIPTION	Qty / stove
01	28060	Brass drawer handle 3" 3/4	1
10	PL40033	Control panel frame	1
11	PL40042	Ash lip (la1034)	1
12	PL40172	Door overlay	1
13	40011	Tadpole 1/4	6
14	SE40101	Side glass (la1066)	2
15	SE40100	Front glass (la1065)	1
16	40018	Glass gasket 1/16	9
17	PL40028	Base	1
18	PL40170	Glass gasket retainer	1
19	PL40171	Rope retainer	1
02	PL40037	Control panel door inner	1
20	40009	Black square rope 1/2	6
21	21021	Pilot bracket gasket	1
21	21022	Pilot gasket	1
21	49051	S.i.t. pilot assembly - ng (hg77)	1
21	49127	S.i.t. pilot assembly - lp (hg71-hg36)	1
22	49126	Valve s.i.t nova 820 propane	1
22	49133	Valve s.i.t nova 820 natural gas	1
23	SE07706	Dormont gas line 10	1
24	49001	Top convertible lp pilot orifice (hg79)	1
24	49041	Top convertible ng pilot orifice (hg78)	1
24	49151	Bottom convertible lp pilot orifice (hg51) old model	1
24	49151-N	Bottom convertible ng pilot orifice (hg52)old model	1
25	2619156	Lp orifice p0505s 1/8	1
25	9071-0	Natural gas orifice ng p0505s 1/8	1
26	44047	Exhaust thermodisc (spill switch) (he32)	1
27	SE40150	Burner (la145)	1
28	PL40053	Top insulation	1
29	44078	Blower 240v	1
29	OA11150	Blower assembly complet fg007	1
03	44093	2 speed rocker switch (he23)	1
30	44046	Blower thermodisc (he57)	1
30	PL36042	Fan thermal switch bracket	1
31	PL40030	Pedestal rightside	1
32	30013	Hinge	4
33	OA11380	Main log (la1124)	1
34	OA11385	Y log (la1125)	1
35	30439	Clamp	4
36	30454	Double magnet	4
37	PL40034	Firebox support	2
38	PL40029	Pedestal leftside	1
39	PL40021	Decorative side panel left/right	2
04	PL40031	Control panel	1
40	SE40023	Stove top	1
41	PL40060	Front hatch insulation	1
42	21038	3/4	1
43	21027	Air inlet tube gasket	6
44	21024	Flue outlet gasket	1
45	49037	4" flue outler adapter	1
46	21023	Air inlet plate gasket	3
46	PL40038	Air control cover	3

05	44080	Rheostat	1
05	44085	Rheostat knob	1
06	49173	Extension knob	1
07	49174	Extension knob	1
08	49129	Piezo igniter (hg58)	1
09	SE40106	Victorienne door trim	1
09	SE40106PG	Bayvista door trim	1
N/A	49115	Interrupter block for b-vent installation	1
N/A	49122	Thermocouple	1
N/A	OA11270	Conversion kit s.i.t. ng to lp	1
N/A	OA11275	Conversion kit s.i.t. lp to ng	1



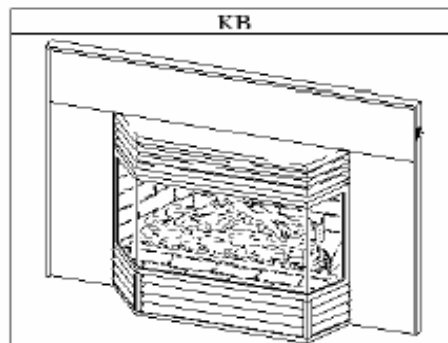
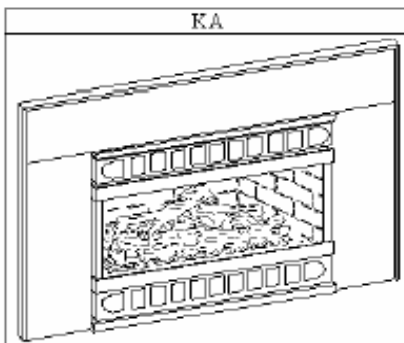
BAY VISTA STOVE

PART #	DESCRIPTION	Qty / stove
23050	Bay glass one piece (bc0088)	1
44046	Blower thermodisc (he57)	1
44047	Exhaust thermodisc (spill switch) (he32)	1
44093	2 speed rocker switch (he23)	1
49051	S.i.t. pilot assembly - ng (hg77)	1
49061	Hg37 thermocouple for fixed pilot hood	1
49063	Thermopile 20	1
49127	S.i.t. pilot assembly - lp (hg71-hg36)	1
49129	Piezo igniter (hg58)	1
49151	Bottom convertible lp pilot orifice (hg51) old model	1
49151N	Pilot orifice-ng (hg52)	1
BC0138	Burner orifice – ng (49072 drilled @ # 32)	1
BC0139	Burner orifice – lp (49072 drilled @ # 1/16)	1
OA11395	Door glue & gasket kit 1/2	1
VG00012	Conversion kit ng to lp (bc201)	1
VG00013	Conversion kit lp to ng (bc202)	1
VG00020	Igniter electrode (hg54)	1



K SERIE

PART #	DESCRIPTION	Qty / stove
44047	Exhaust thermodisc (spill switch) (he32)	1
44046	Blower thermodisc (he57)	1
44074	Blower 240v	1
44093	2 speed rocker switch (he23)	1
49051	S.i.t. pilot assembly - ng (hg77)	1
49072	Burner orifice lp-gas #52	1
49127	S.i.t. pilot assembly - lp (hg71-hg36)	1
49151	Bottom convertible lp pilot orifice (hg51) old model	1
49151N	Pilot orifice-ng (hg52)	1
HB06	Door gasket - 3/8	7
40011	Tadpole 1/4	7
49063	Thermopile 20	1
49061	Hg37 thermocouple for fixed pilot hood	1
VG00020	Igniter electrode (hg54)	1
49129	Piezo igniter (hg58)	1
KA1030	Burner orifice – ng (49072 drilled @ #38)	1
KA1036	Flush door replacement glass	1
KB1007	Front glass bay door	1
KB1008	Side glass bay door (2)	2



J SERIE

PART #	DESCRIPTION	Qty / stove
23050	Bay glass one piece (bc0088)	1
44046	Blower thermodisc (he57)	1
44047	Exhaust thermodisc (spill switch) (he32)	1
44093	2 speed rocker switch (he23)	1
49051	S.i.t. pilot assembly - ng (hg77)	1
49127	S.i.t. pilot assembly - lp (hg71-hg36)	1
49151	Bottom convertible lp pilot orifice (hg51) old model	1
49151N	Pilot orifice-ng (hg52)	1
CA1023	Tube burner	1
HB06	Door gasket - 3/8	7
40011	Tadpole 1/4	7
49063	Thermopile 20	1
49061	Hg37 thermocouple for fixed pilot hood	1
VG00020	Igniter electrode (hg54)	1
JD0006	Three piece bay - front glass	1
JD0007	Three piece bay - sides (2)	2
JD0048	Burner orifice – ng (49072 drilled @ # 34)	1
JD0049	Burner orifice – lp (49072 drilled @ # 51)	1
JF1005	One piece flush glass	1
21003	Ember kit	1
VG00023	J serie log set (jd030)	1
VG00025	Conversion kit to lp (jd209)	1
VG00026	Conversion kit to lp (jd210)	1

